

P.B. LiftMach[®]
www.liftmach.com

Hand Pallet Truck



P.B. LiftMach[®]
www.liftmach.com

www.liftmach.com

P.B. LiftMach (Thailand) Co., Ltd. (Head Office)

Add. No. 1/12 M.4 T.Bueng A.Sriracha Chonburi 20230 THAILAND

Tel. +66-38-197932

Fax. +66-38-197933 (Auto)

Hand Pallet Truck

Model: BF

1KG=2.205LB 1INCH=25.40MM



Standard with entry & exist Roller
(option with single or double fork rollers)



Integrated cast pump



Wheel Option



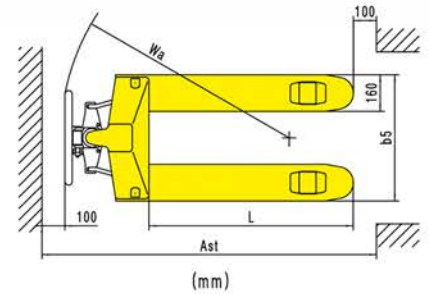
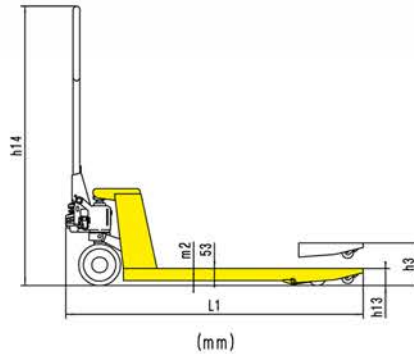
Nylon wheel

PU wheel

PU wheel

Model	BF		
Capacity	Q(kg)	2500/3000	2500/3000
Lowered fork height	h_{13} (mm)	85	75
Steering wheel	mm	ϕ 180	ϕ 180
Fork wheel single	mm	ϕ 74x93	ϕ 74x93
Fork wheel double	mm	ϕ 74x70	ϕ 74x70
Max. Lifting height	h_2 (mm)	195	185
Height of tiller in drive position min./max.	h_{14} (mm)	1214	1214
Overall length	l_1 (mm)	1543/1613	1543/1613
Fork length	l (mm)	1150/1220	1150/1220
Width overall forks	b_1 (mm)	520/550/685	520/550/685
Ground clearance, center of wheelbase	m_2 (mm)	32	22
Aisle width for pallets 1000x1200 crossways	A_c (mm)	1743/1813	1743/1813
Aisle width for pallets 800x1200 lengthways	A_s (mm)	1793/1813	1793/1813
Turning radius	W_s (mm)	1276/1346	1276/1346
Service weight	kg	56-70	56-70

Remark: Special size fork width and length can be made according to customer's requirement.



Conforms to EN ISO3691-5:2014
Based on Directive 2006/42/EC



Hand pallet truck

- Integrated pump without welding , no any leaking problems.
- Frame force is more reasonable , and the strength is more reliable.
- Handle seat has hole it is more convenient for installation of control chain.
- Forks lowering speed is controllable, with overload valve to avoid overloading .
- Option: 1) steering wheel 200mm (fork wheel 80mm) are available.
2) Nylon wheel, polyurethane wheel, rubber wheel, single fork roller or tandem fork rollers.
3) Fork length: 800mm, 900mm, 1000mm, 1100mm.
4) Foot pedal release.
5) Pump color: black painting.
6) Quick lift (double speed lifting).



Premium

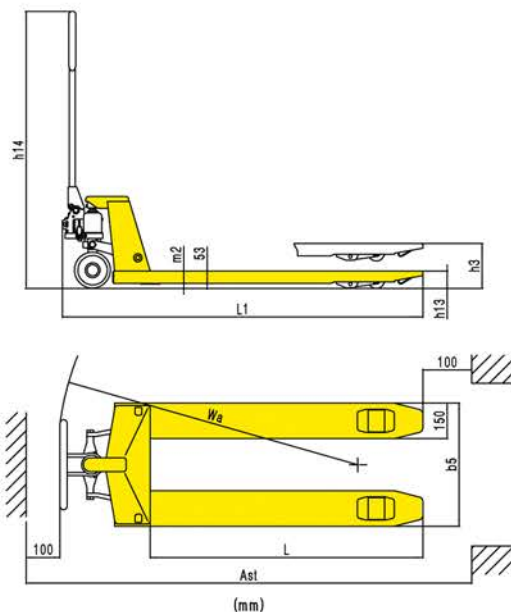
Model: DB

1KG=2.205LB 1INCH=25.40MM



Model	DB	
Capacity	Q(kg)	2000
Lowered fork height	h_{13} (mm)	75
Steering wheel	mm	ϕ 160
Fork wheel single	mm	ϕ 70x80
Fork wheel tandem	mm	ϕ 70x60
Max. lift height	h_2 (mm)	190
Total height	h_{14} (mm)	1176.5
Overall length	l_1 (mm)	1520/1590
Fork length	l (mm)	1150/1220
Width overall forks	b_5 (mm)	520/550/680
Ground clearance, centre of wheelbase	m_2 (mm)	22
Aisle width for pallets 1000x1200 crossways	A_{c1} (mm)	1720/1790
Aisle width for pallets 800x1200 lengthways	A_{c2} (mm)	1770/1790
Turning radius	W_0 (mm)	1265/1335
Service weight	kg	53-62

Remark: Special size fork width and length can be made according to customer's requirement.



Conforms to EN ISO3691-5:2014
Based on Directive 2006/42/EC

Economic design pallet truck

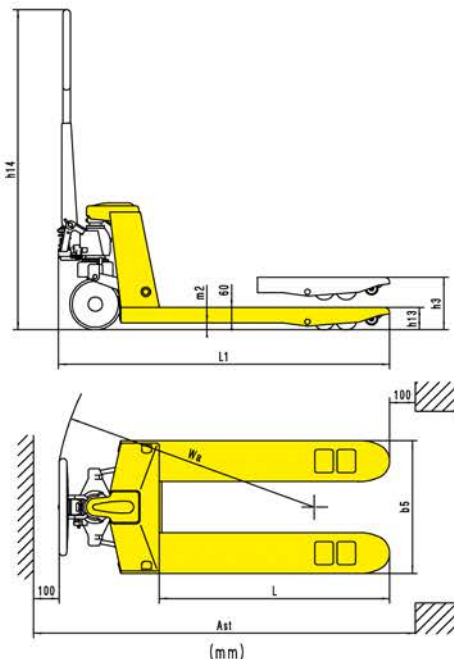
- Standard epoxy powder coat finish which is resistant to chips and normal corrosion.
- Exceptionally strong but light weight steel construction, service weight is only 55kgs.
- With welded joints and reinforced fork tips for most durability in the toughest applications.
- 3 position hand control - Raise, Lower, Neutral.
- Excellent turning angle of 190 degrees facilities.
- Number of pump strokes 12 times, lift height per stroke 11mm.
- Reliable oil leak-proof hydraulic system.
- Option: 1) Nylon wheel, polyurethane wheel, rubber wheel, single fork roller or tandem fork rollers.
2) Fork length: 800mm, 900mm, 1000mm, 1100mm.

Hand Pallet Truck

Model: **WB 5000KG**

1KG=2.205LB 1INCH=25.40MM

Model		WB	
Capacity	Q(kg)	5000	5000
Lowered fork height	h_0 (mm)	88	78
Steering wheel	mm	ϕ 200	ϕ 180
Fork wheel single	mm	~	~
Fork wheel tandem	mm	ϕ 85x80	ϕ 75x80
Max. lift height	h_1 (mm)	205	195
Total height	h_2 (mm)	1253	1243
Overall length	l_1 (mm)	1544/1614	1544/1614
Fork length	l (mm)	1150/1220	1150/1220
Width overall forks	b_1 (mm)	550/685	550/685
Ground clearance, centre of wheelbase	m_1 (mm)	28	18
Aisle width for pallets 1000x1200 crossways	A_{c1} (mm)	1744/1814	1744/1814
Aisle width for pallets 800x1200 lengthways	A_{l1} (mm)	1794/1814	1794/1814
Turning radius	W_1 (mm)	1300/1370	1300/1370
Service weight	kg	103-110	103-110

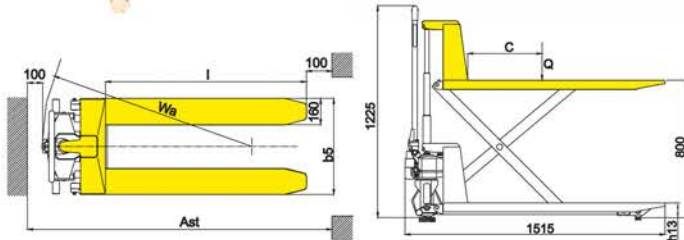


Heavy duty type pallet truck

- High reliability and long service life of 5 years.
- Double lifting speed when loads under 600kg, which turns back to regular speed when above it.
- Impact free lifting ensures safety of cargo loading.
- The lifting system is equipped with overloading protection valve to ensure the safe operation.
- The utilized structural design guarantees the convenience of assembling and disassembling.
- Light-weight fork frame, made from high rigidity steel plate.
- Compact appearance, complete rocker arm, ensure the whole truck evenly pressed.
- There is a finger hole in the connection of handle and pump, easy to assemble.

High Lift Pallet Truck

Model: JF

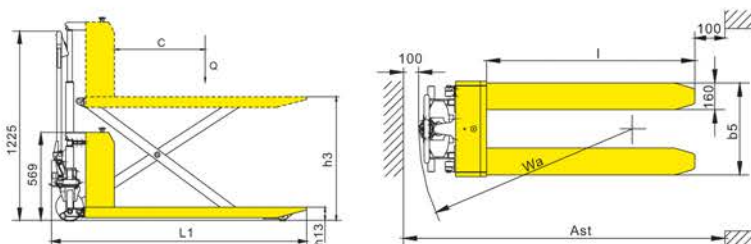


- Ideal design with numerous possibilities makes this unit very suitable as pallet truck/scissor lift table.
- Telescopic jack composes of 3 piston rods creating light pumping force giving great rigidity.
- Support legs come into operation automatically.
- It prevents the unit from moving when the forks are raised to keep the safety of the operator.
- Truck automatically slows the descending speed when heavy goods loaded to prevent cargo damage.
- 210 degree turning radius.
- 2 lateral stabilizers when raised ensure good stability.
- Option: Stainless Steel.

1KG=2.205LB 1INCH=25.40MM

Model		JF
Capacity	Q(kg)	1000 / 1500
Lowered fork height	h_{03} (mm)	85
Steering wheel	mm	Φ180X50
Fork wheel	mm	Φ74X50
Fork length	l (mm)	1150
Width overall forks	b_0 (mm)	520/550/685
Aisle width for pallets 1000x1200 crossways	A_{c1} (mm)	1715
Aisle width for pallets 800x1200 lengthways	A_{c2} (mm)	1765
Turning radius	W_t (mm)	1360
Service weight	kg	104-115

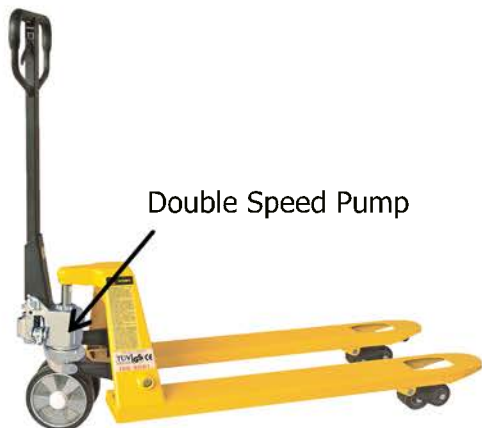
Model: JFD8



1KG=2.205LB 1INCH=25.40MM

Model		JFD8
Capacity	Q(kg)	1000 / 1500
Lowered fork height	h_{03} (mm)	85
Steering wheel	mm	Φ180x50
Fork wheel	mm	Φ74x50
Max. lift height	h_2 (mm)	800
Overall length	L_1 (mm)	1652
Fork length	l (mm)	1245
Width overall forks	b_0 (mm)	550/685
Aisle width for pallets 1000x1200 crossways	A_{c1} (mm)	1852
Aisle width for pallets 800x1200 lengthways	A_{c2} (mm)	1852
Turning radius	W_t (mm)	1480
Lift motor rating at S3 15%	kW	0.7
Battery voltage,nominal capacity K10	V/Ah	12/100
Battery weight	kg	31
Service weight (with battery)	kg	181

Multi-function Hand Pallet Truck



Model: **BFQ**

Quick Lift Pallet Truck

- The quick lift pallet truck is an ideal truck for light load handling.
- Whenever lifting loads under 300kg, it takes just 5 strokes to reach max. height.
- For loads above 300 kg, the quick lift hydraulic system automatically switches to normal operation.



Model: **BFB**

Pallet Truck With Brake System

- Pallet truck with brake system can conveniently cease the truck and navigate ramps.



Model: **BFT**

Traverse Pallet Truck (4-way)

- Designed for moving long loads down narrow aisles.
- Traverse movement effects when the fork height up to 180mm, and turn the handle by an angle of 90 degrees.
- Traverse movement provides more flexibility and convenience of applications as condition changes.
- Load capacity: 2500kg (1500kg traverse traveling).

1KG=2.205LB 1INCH=25.40MM

Model		BFQ	BFB	BFT
Capacity	Q(kg)	2500	2500	2500 (1500 traverse)
Lowered fork height	h_{13} (mm)	85/75	85/75	85/75
Steering wheel	mm	ϕ 200/ ϕ 180	ϕ 200/ ϕ 180	ϕ 200/ ϕ 180
Fork wheel single	mm	ϕ 80x93/ ϕ 74x93	ϕ 80x93/ ϕ 74x93	ϕ 80x70/ ϕ 74x70 (fork wheel)
Fork wheel tandem	mm	ϕ 80x70/ ϕ 74x70	ϕ 80x70/ ϕ 74x70	ϕ 65x60 (traverse wheel)
Max. lift height	h_2 (mm)	200/190	200/190	200/190
Total height	h_{14} (mm)	1224/1214	1224/1214	1224/1214
Overall length	l_1 (mm)	1533/1603	1533/1603	1533/1603
Fork length	l (mm)	1150/1220	1150/1220	1150/1220
Width overall forks	b_1 (mm)	520/550/685	520/550/685	520/550/685
Ground clearance, centre of wheelbase	m_2 (mm)	40/30	40/30	40/30
Aisle width for pallets 1000x1200 crossways	A_c (mm)	1733/1803	1733/1803	1733/1803
Aisle width for pallets 800x1200 lengthways	A_c (mm)	1783/1803	1783/1803	1783/1803
Turning radius	W_1 (mm)	1266/1336	1266/1336	1266/1336
Service weight	kg	65-85	65-85	65-85



Model: BFL
Low-profile Pallet Truck

- 1.5T Cap. lowered fork height - 52mm.
- 1T Cap. lowered fork height - 35mm.
- Steel fork rollers.



Model: BFH
High-profile Pallet Truck

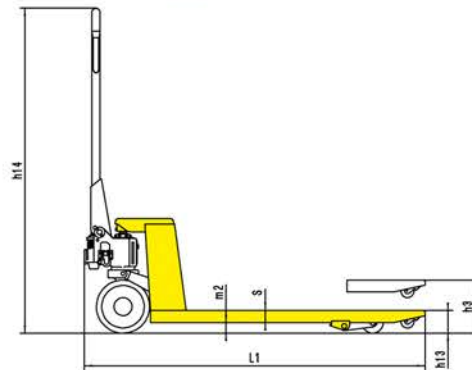
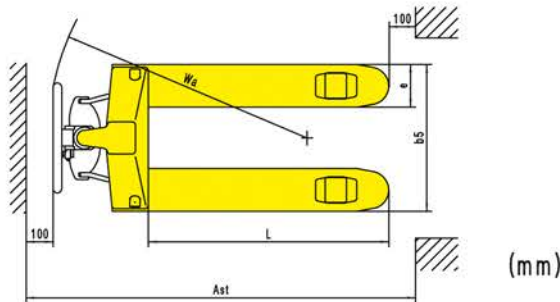


Model: BFS
Stainless Steel Pallet Truck

- Widely used in carrying meat, marine products, wines, beverage, chemicals, etc. and can work in very low temperature conditions, e.g. to deliver goods into and out of freezers/coolers.



Model: BFG
Galvanized Pallet Truck



1KG=2.205LB 1INCH=25.40MM

Model		BFL10	BFL15	BFH	BFS	BFG
Capacity	Q(kg)	1000	1500	2000	2500	2500
Lowered fork height	h_{s_1} (mm)	35	52	140	85/75	85/75
Steering wheel	mm	φ 150	φ 150	φ 180	φ 200/ φ 180	φ 200/ φ 180
Fork wheel single	mm	~	φ 50x93	φ 126x68	φ 74x93	φ 80x93/ φ 74x93
Fork wheel tandem	mm	φ 35x60	φ 50x70	~	φ 74x70	φ 80x70/ φ 74x70
Max. lift height	h_s (mm)	105	140	255	200/190	200/190
Total height	h_{s_2} (mm)	1174	1189	1279	1224/1214	1224/1214
Overall length	l_1 (mm)	1533/1603	1547/1617	1533/1603	1533/1603	1533/1603
Fork dimensions	s/e/l	28/150/1150(1220)	38/150/1150(1220)	45/160/1150(1220)	45/160/1150(1220)	45/160/1150(1220)
Width overall forks	b_s (mm)	520/550/685	520/550/685	520/550/685	520/550/685	520/550/685
Ground clearance, centre of wheelbase	m_s (mm)	7	14	95	40/30	40/30
Aisle width for pallets 1000x1200 crossways	A_s (mm)	1733/1803	1747/1817	1733/1803	1733/1803	1733/1803
Aisle width for pallets 800x1200 lengthways	A_{s_1} (mm)	1783/1803	1797/1817	1783/1803	1783/1803	1783/1803
Turning radius	W(mm)	1266/1336	1286/1356	1266/1336	1266/1336	1266/1336
Service weight	kg	65-80	65-80	70-80	65-80	65-80

Multi-function Hand Pallet Truck



Model: **BF3500**
Heavy Duty Pallet Truck

1KG=2.205LB 1INCH=25.40MM

Model	BF3500	
Capacity	(kg)	3500
Lowered fork height	(mm)	85/75
Total lift height	(mm)	200/190
H. of handleless	(mm)	443/433
Fork length	(mm)	1150/1220
Width overall forks	(mm)	550/685
Steering wheel	(mm)	φ 200/ φ 180
Fork wheel	(mm)	φ 80/ φ 74
Truck weight	(kg)	100



Model: **BFR**
Pallet Truck With Backrest

1KG=2.205LB 1INCH=25.40MM

Model	BFR	
Capacity	(kg)	2500
Lowered fork height	(mm)	85/75
Total lift height	(mm)	200/190
H. of handleless	(mm)	431.5/421.5
Fork length	(mm)	1150/1220
Width overall forks	(mm)	520/550/685
Steering wheel	(mm)	φ 200/ φ 180
Fork wheel	(mm)	φ 80/ φ 74
Truck weight	(kg)	95/105



Model:
BFW BFWL
Extra Wide Pallet Truck

1KG=2.205LB 1INCH=25.40MM

Model	BFW		BFWL	
Capacity	(kg)	1500	1500	
Lowered fork height	(mm)	85/75	52	
Total lift height	(mm)	200/190	140	
H. of handleless	(mm)	431.5/421.5	396	
Fork length	(mm)	1150/1220	1150/1220	
Width overall forks	(mm)	830	830	
Steering wheel	(mm)	φ 200/ φ 180	φ 150	
Fork wheel	(mm)	φ 80/ φ 74	φ 50	
Truck weight	(kg)	100	100	



Model: **BFZ**
Super Narrow Pallet Truck

1KG=2.205LB 1INCH=25.40MM

Model	BFZ	
Capacity	(kg)	2000
Lowered fork height	(mm)	75
Total lift height	(mm)	190
H. of handleless	(mm)	401.5
Fork length	(mm)	800
Width overall forks	(mm)	406
Steering wheel	(mm)	φ 160
Fork wheel	(mm)	φ 70
Truck weight	(kg)	65



Model: WF
MINI Pallet Truck

Only 35kg!

1KG=2.205LB 1INCH=25.40MM

Model		WF
Capacity	Q(kg)	500
Lowered fork height	h_{1s} (mm)	60
Steering wheel	mm	ϕ 127
Fork wheel	mm	ϕ 58
Max. lift height	h_1 (mm)	150
Total height	h_{1c} (mm)	1127
Overall length	l_1 (mm)	1126
Fork dimensions	s/e/l	40/100/800
Width overall forks	b_2 (mm)	380
Service weight	kg	35



Model: BFJ
Reel Carrier Pallet Truck

1KG=2.205LB 1INCH=25.40MM

Model		BFJ
Capacity	(kg)	1000
Diameter of bale	(mm)	ϕ 700~ ϕ 1200
Height of handleless	(mm)	431.5
Fork length	(mm)	1150
Max width overall forks	(mm)	965
Steering wheel	(mm)	ϕ 200
Fork wheel	(mm)	ϕ 80
Weight	(kg)	135



Model: HW
Rough Terrain Truck

- Special for building site

1KG=2.205LB 1INCH=25.40MM

Model		HW
Capacity	(kg)	1500
Lowered fork height	(mm)	70
Total lift height	(mm)	240
Height of handleless	(mm)	734
Total height	(mm)	1298
Total width	(mm)	1605
Fork length	(mm)	800
Max width overall forks	(mm)	740
Least width overall forks	(mm)	226
Steering wheel	(mm)	ϕ 250x60
Fork wheel	(mm)	ϕ 380x114
Weight	(kg)	192

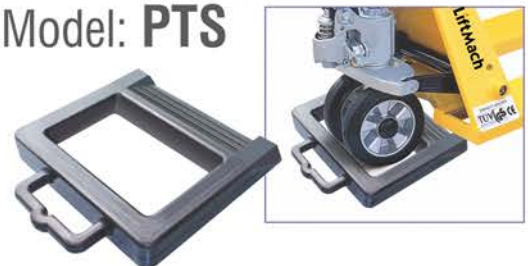


Extra Long Pallet Truck

- Different fork size can be made according to customers' requirement.

Pallet Truck Stop

Model: PTS



- "Pallet Truck Stop" is designed to eliminate damage due to runaway pallet Jacks, which can be easily picked up and placed in convenient spots.
- Drivers will never again have to tie down a pallet jack, use a load bar to hold it or flip it on its side. Just pull the jack into the pallet truck stop and it's parked in less than two seconds fully secured.
- It is the best device designed to hold any pallet Jacks in a moving car or trailer.

Scale Pallet Truck

Model: BFC6 BFC6-II

(Scale pallet truck with printer)

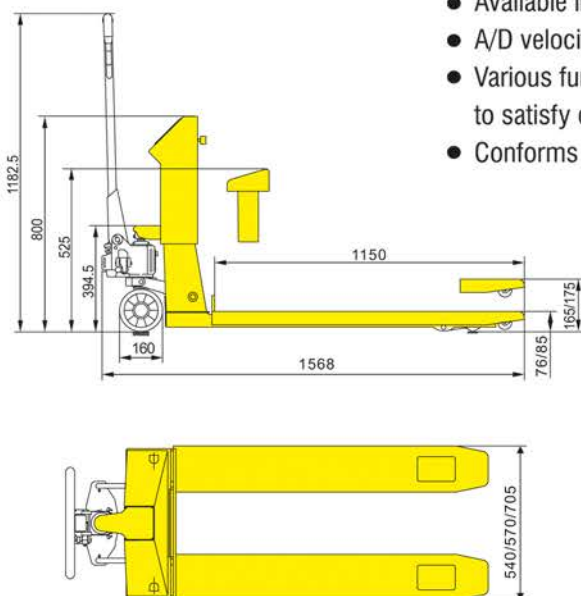


Conforms to EN ISO3691-5:2014
Based on Directive 2006/42/EC



Premium

- Mobile pallet truck with scale combined two major functions for pallet truck/scale, allows you to weigh cargo whatever, wherever, whenever you want.
- Power supply with rechargeable battery or with 86~264V AC input .
- Keypad and automatic tare functions.
- 1.2inches, super-large and bright LED display in solid state to be strike-free.
- Available in pounds or kilograms.
- A/D velocity: 27/s, a faster speed of weighing, more correct.
- Various functions: with extended functions as weight-checking ,counting, etc., to satisfy different needs of customers.
- Conforms to EU's ROHS standard.



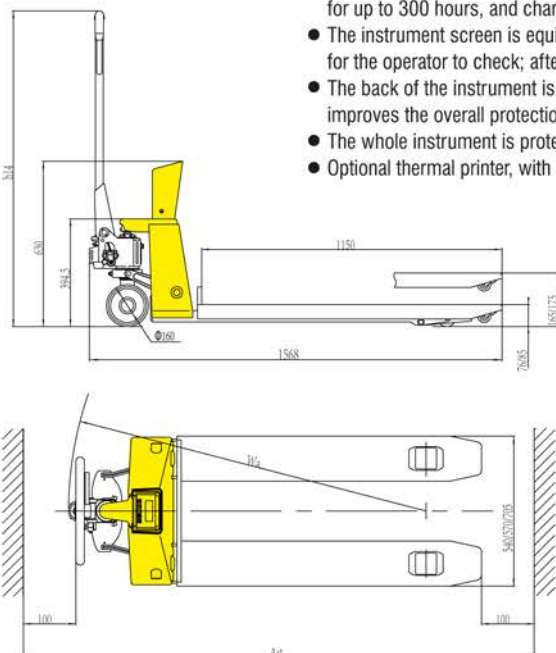
1KG=2.205LB 1INCH=25.40MM

Model	BFC6/BFC6-II	
Capacity	(kg)	2000
Lowered fork height	(mm)	76/85
Total lift height	(mm)	165/175
Fork length	(mm)	1150
Width overall forks	(mm)	540/570/705
Steering wheel	(mm)	φ 160
Fork wheel	(mm)	φ 70
Power	Dry cell / Ni MH rechargeable battery	
Max deviation (weight)	(kg)	0.5
Max. deviation (rate)	(%)	±0.1%
Service weight	(kg)	133-142

Model: **BFC6-7E**
BFC6-8E
(Scale pallet truck with printer)



- The instrument operation interface is concise and easy to operate.
- The display screen is 6-digit LCD display, and the screen is inclined forward, which is convenient for the operator to read the value.
- The maximum error value of the instrument is 0.1%, and the weighing accuracy is 0.5kg.
- Five functional buttons, easy and simple to operate.
- It can switch the weighing unit (kg / lb) with one key, which is convenient for use in different markets requirements.
- The instrument power supply adopts 4.8V/4AH lithium battery, which can be used continuously for more than 60 hours, stand-by for up to 300 hours, and charging only takes 5 hours.
- The instrument screen is equipped with backlight, which will automatically light up when the weight changes, which is convenient for the operator to check; after the weight is stable, the backlight will automatically turn off for saving energy.
- The back of the instrument is totally enclosed, and the harness connection adopts aviation connector / RS232 connector, which improves the overall protection performance of the instrument.
- The whole instrument is protected by iron plate, which prevents the instrument from bumping and damage during operation.
- Optional thermal printer, with no need to change the color band.



1KG=2.205LB 1INCH=25.40MM

Model	BFC6-7E/BFC6-8E	
Capacity	(kg)	2000
Lowered fork height	(mm)	76/85
Total lift height	(mm)	165/175
Fork length	(mm)	1150
Width fork overall	(mm)	540/570/705
Steering wheel	(mm)	φ 160
Fork wheel	(mm)	φ 70
Power	4.8V/4Ah li-ion battery	
Max. deviation(weight)	(kg)	0.5
Max. deviation(rate)	(%)	±0.1%
Turning radius	(mm)	1368
Service weight	(kg)	115-130

Manual Stacker

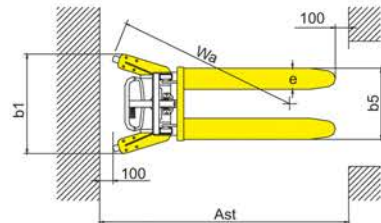
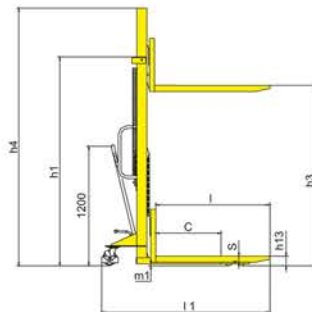
Model:
SDJA-I
(1000~1500kg)



Model:
SDJ500
SDJ1000
SDJ1500



Conforms to EN ISO3691-5:2014
Based on Directive 2006/42/EC



SDJ series with fixed forks

1KG=2.205LB 1INCH=25.40MM

Model		SDJ500	SDJ1000	SDJ1500	SDJA1000- I	SDJA1500- I
Load capacity/rated load	Q(kg)	500	1000	1500	1000	1500
Load centre distance	c(mm)	600	600	400	500	500
Fork height, lowered	h_{10} (mm)	90	90	90	90	90
Height, mast lowered	h_1 (mm)	1490/2080	1490/1720/2080/1838/2080	2080	2090/1840	2090
Max. lift height	h_2(mm)	1000/1600	1000/1200/1600/2500/3000	1600	1600/2500	1600
Height, mast extended	h_3 (mm)	1490/2080	1490/1720/2080/2925/3420	2080	2090/2925	2090
Overall length	l_1 (mm)	1655/1705	1655/1705	1655/1705	1680	1680
Overall width	b_1 (mm)	755	755/755/755/860/860	755	955	955
Fork dimensions	s/e/l(mm)	61/170/1100(1150)	61/170/1100(1150)	61/170/1100(1150)	60/142/1070	60/154/1070
Width overall forks	b_5 (mm)	550	550/550/550/580/580	550	295~930	310~930
Ground clearance, laden, below mast	m_1 (mm)	25	25	25	25	25
Aisle width for pallets 1000x1200 crossways	A_{10} (mm)	2112	2112	2112	2146	2146
Aisle width for pallets 800x1200 lengthways	A_{10} (mm)	1945	1945	1945	2141	2141
Turning radius	W_1 (mm)	1380	1380	1380	1235	1235
Lift speed, laden/unladen	mm/time	25	25	21	25	21
Lowering speed, laden/unladen	mm/s		Manual control			Manual control
Service weight	kg	185 / 205	183/191/204/280/303	236	240/306	280



Model:
SDJA500



Model:
SDJA1000
SDJA1500
Forged Forks

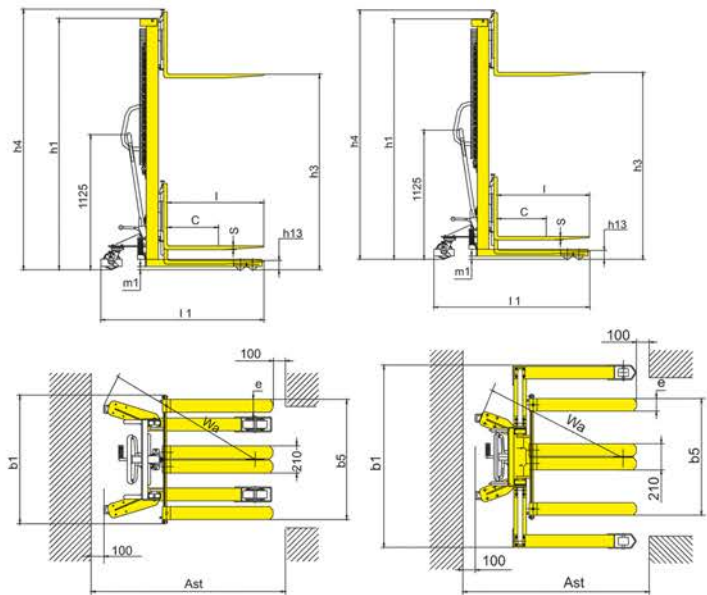


Model:
SDJAS500
SDJAS1000

1300mm(SDJAS500)
1250mm(SDJAS1000)

For SDJA

For SDJAS



1KG=2.205LB 1INCH=25.40MM

SDJA series with adjustable forks
SDJAS series with straddle legs

Model		SDJA500	SDJA1000	SDJA1500	SDJAS500	SDJAS1000
Load capacity/rated load	Q(kg)	500	1000	1500	500	1000
Load centre distance	c(mm)	500	500	500	500	500
Fork height, lowered	h_{13} (mm)	90	90	90	70	70
Height, mast lowered	h_1 (mm)	2000	2085/1840	2090	2000	2050
Max. lift height	h_2(mm)	1600	1600/2500	1600	1600	1600
Height, mast extended	h_4 (mm)	2010	2165/2925	2150	2100	2155
Overall length	l_1 (mm)	1380/1640	1380/1640	1380/1640	1340/1600	1300/1560
Overall width	b_1 (mm)	805	1000/750	1000	1500	1450
Fork dimensions	s/e/l(mm)	48/100/800(1060)	30/100/800(1060)	30/100/800(1060)	48/100/800(1060)	30/100/800(1060)
Width overall forks	b_5 (mm)	200~745	200~950/700	200~950	745	950
Round clearance, laden,below mast	m_1 (mm)	20	25	25	25	25
Aisle width for pallets 1000x1200 crossways	A_{cs} (mm)	1915	1915	1915	1975	1975
Aisle width for pallets 800x1200 lengthways	A_{cl} (mm)	1910	1910	1910	1915	1915
Turning radius	W_0 (mm)	1235	1235	1235	1200	1200
Lift speed,laden/unladen	mm/time	25	25	21	25	25
Lowering speed,laden/unladen	mm/s				Manual control	
Service weight	kg	161	250/316	280	217	336

Manual Stacker



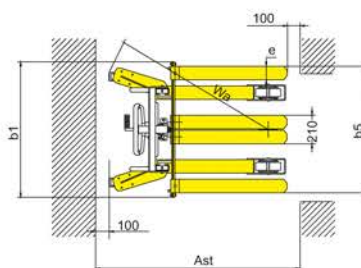
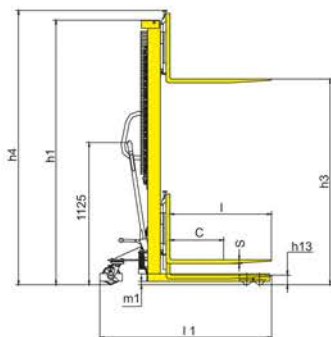
Model:
SJJJA1500



Model:
SJJJA20E



Folded Foot Pedal



Model:
SJJJA20E-III

Overall forks



1KG=2.205LB 1INCH=25.40MM

Model		SJJJA1500	SJJJA20E	SJJJA20E- I	SJJJA20E-III
Load capacity/rated load	Q(kg)	1500	2000	2000	2000
Load centre distance	c(mm)	400	400	400	400
Fork height, lowered	h_{13} (mm)	97	90	93	90
Height, mast lowered	h_1 (mm)	1940	2085	2085	2085
Max. lift height	h_2 (mm)	1500	1500	1500	1500
Height, mast extended	h_4 (mm)	2000	2085	2085	2085
Overall length	l_1 (mm)	1350	1386	1425	1482
Overall width	b_1 (mm)	1050	1000	830	830
Fork dimensions	s/e/l(mm)	48/100/850	32/120/900	60/170/900	60/166/900
Width overall forks	b_5 (mm)	980	250-950	580	350-710
Round clearance, laden,below mast	m_1 (mm)	25	25	20	20
Aisle width for pallets 1000x1200 crossways	A_1 (mm)	2050	2050	2131	2166
Aisle width for pallets 800x1200 lengthways	A_2 (mm)	2040	2040	2108	2163
Turning radius	W_1 (mm)	1245	1250	1250	1250
Lift speed,laden/unladen	mm/time	20	18/20	18/20	18/20
Lowering speed,laden/unladen	mm/s		Manual control		
Service weight	kg	283	265	260	260

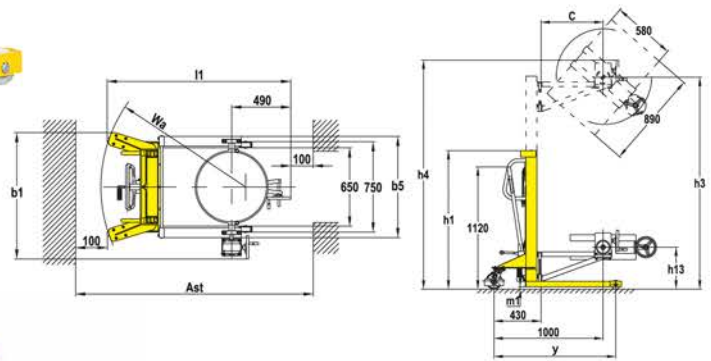
Model: YTD-35



Drum Stacker

1KG=2.205LB 1INCH=25.40MM

Model		YTD-35
Capacity	Q(kg)	350
Load centre distance	c(mm)	570
Wheelbase	y(mm)	1115
Tyre size, front	(mm)	φ 80x36
Tyre size rear	(mm)	φ 147x40
Height, mast lowered	h ₁ (mm)	1270/1490
Max. lift height	h ₂ (mm)	1945/2385
Height, mast extended	h ₃ (mm)	2100/2640
Lowered fork height	h ₄ (mm)	385
Overall length	l ₁ (mm)	1580
Overall width	b ₁ (mm)	1050
Width overall forks	b ₂ (mm)	840
Ground clearance, laden, below mast	m ₁ (mm)	22
Turning radius	W ₁ (mm)	1200
Lowering speed, laden/unladen	mm/s	manual control
Service weight	kg	235



Drum Loader

Model: HD08

Max.Height of Drum: 957mm
Min.Height of Drum: 832mm
Drum Dia: 580mm

- Easily and quickly lift drums without hydraulic or electric connections.



Fork Mounted Automatic Drum Grab

Model: HD06

Drum type	Drum gal.	Cap. Lbs.	Fork Pockets W " x H " x O.C. "
Single Steel	55	1500	51/2 x 2 x 22



Remark: Min. order Qty' 10 pcs for each.

Scissor Lift Table



Model: **SP150**
SP300
SP500



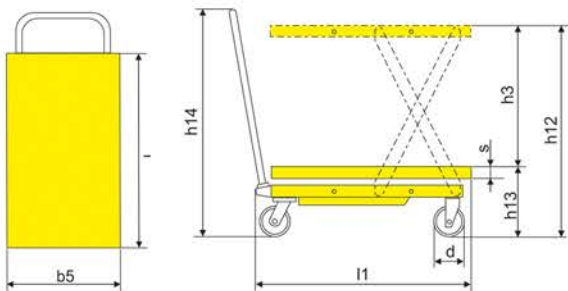
Model: **SP200**



Model: **SP800**



Model: **SPB1000**
SPB1500



Model		SPB1000	SPB1500
Capacity	kg	1000	1500
Max. lift height	h_{12} (mm)	1000	1000
Min. height of table	h_{13} (mm)	380	420
Lifting height	h_3 (mm)	620	580
Table size	$l \times b \times s$ (mm)	1016*515*60	1220*610*60
Total height	h_{14} (mm)	962	962
Overall length	l_1 (mm)	1170	1379
Foot pedal cycles to max height		≤ 55	≤ 70
Wheel diameter	d (mm)	150	150
Qty. / 20' Container	PCS	52	48
Service weight	kg	115	135
Carton size	mm	1190*630*430	1410*730*450

Specification for U.S. type

1KG=2.205LB 1INCH=25.40MM

Model		SP150	SP200	SP300/SP500	SP800	SP500A*	SP500B*	SP500C*
Capacity	kg	150	200	300/500	800	500	500	500
Max. lift height	h_{12} (mm)	740	1000	900	1000	900	1100	900
Min. height of table	h_{13} (mm)	225	330	280	420	305	310	305
Lifting height	h_3 (mm)	515	670	620	580	595	790	595
Table size	$l \times b \times s$ (mm)	700x450x35	1000x500x35	815x500x50	1000x510x55	1050x700x52	1200x800x52	1050x850x52
Total height	h_{14} (mm)	935	1056	996	996	970	970	970
Overall length	l_1 (mm)	770	1120	937	1150	1120	1270	1120
Foot pedal cycles to max height		≤ 25	≤ 25	≤ 32/ ≤ 45	≤ 70	≤ 55	≤ 55	≤ 55
Wheel diameter	d (mm)	100	200	127	150	127	127	127
Qty. / 20' Container	PCS	192	72	120	52	90	60	90
Service weight	kg	42	71	74.5/79.5	123	108	120	108
Carton size	mm	820x480x265	1140x620x460	960x530x420	1180x615x460	1150x730x330	1300x830x340	1150x880x330

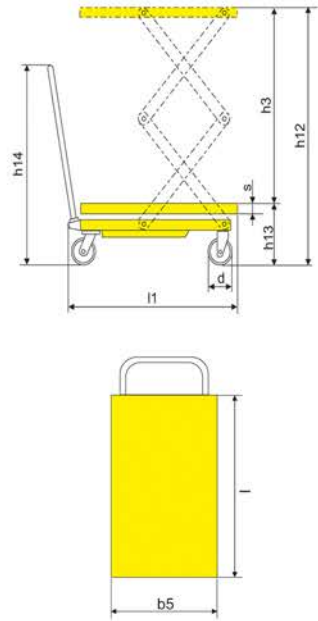
*Model SP500A, SP500B and SP500C are different on table size and lifting height.

Double Scissors Lift Table

Model: **SPS150**
SPS350



Model: **SPF680**



Model: **SPS800**



Stainless steel Lift Table

- Capacity : 150kg /300kg/500kg/350kg
- Option (1) Stainless table only
- (2) Stainless Steel - table, handle, caster rigs and hardware.



1KG=2.205LB 1INCH=25.40MM

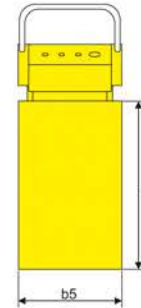
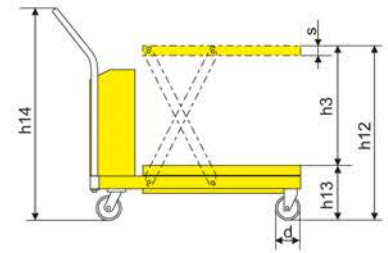
Model		SPS150	SPS350	SPS800	SPF680
Capacity	kg	150	350	800	680
Max. lift height	h_{12} (mm)	1100	1300	1500	1500
Min. height of table	h_{13} (mm)	302	350	475	474
Lifting height	h_3 (mm)	798	950	1025	1026
Table size	$l \times b \times s$ (mm)	700x450x35	910x500x50	1220x610x60	1220x610x55
Total height	h_{14} (mm)	921	970	962	1038
Overall length	l_1 (mm)	773	980	1375	1289
Foot pedal cycles to max height		≤ 30	≤ 60	≤ 70	35/80
Wheel diameter	d (mm)	100	127	150	150
Qty. / 20' Container	PCS	168	110	48	44
Service weight	kg	64	105	172	185
Carton size	mm	800x480x330	1010x530x390	1400x730x500	1320x630x480

Extra Large Plate Lift Table



Model: **SPT500**

● Lower controlled by hand



Electric Table Truck



Model: **DP30**
DP50



Model: **DPS35**

1KG=2.205LB 1INCH=25.40MM

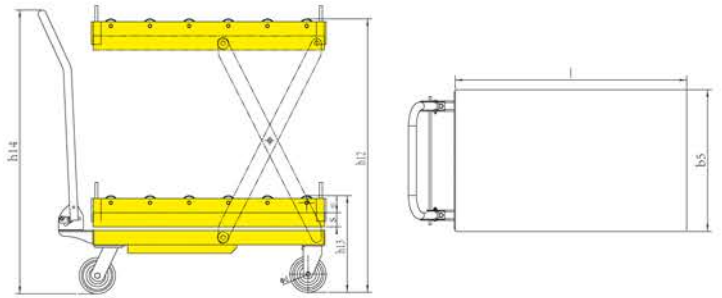
1KG=2.205LB 1INCH=25.40MM

Model		DP30	DP50	DPS35
Capacity	kg	300	500	350
Max. lift height	h_{12} (mm)	900	900	1320
Min. height of table	h_{13} (mm)	300	300	405
Lifting height	h_3 (mm)	600	600	915
Table size	$l \times b \times s$ (mm)	815x500x50	815x500x50	910x500x50
Total height	h_{14} (mm)	1101	1101	1101
Wheel diameter	d	127	127	127
Motor power	kw	0.8	0.8	0.8
Lifting speed	S	≤ 10	≤ 10	≤ 15
Lowering speed	S	10	10	15
Battery voltage, nominal capacity K_5	V/Ah	24V/33Ah	24V/33Ah	24V/33Ah
Qty. / 20' Container	PCS	20	20	20
Service weight	kg	111	114	150
Carton size	mm	1125x540x340	1125x540x340	1240x540x450

Model		SPT500
Capacity	kg	500
Max. lift height	h_{12} (mm)	915
Min. height of table	h_{13} (mm)	310
Lifting height	h_3 (mm)	605
Table size	$l \times b \times s$ (mm)	1600x800x50
Total height	h_{14} (mm)	974
Overall length	l_1 (mm)	1668
Foot pedal cycles to max height		≤ 55
Wheel diameter	d (mm)	127
Qty. / 20' Container	PCS	30
Service weight	kg	136
Carton size	mm	1700x810x330



Model: **RSP500**



1KG=2.205LB 1INCH=25.40MM

Model		RSP500
Capacity	kg	500
Max. lift height	h12(mm)	960
Min. height of table	h13(mm)	340
Total height	h14(mm)	996
Table size	lxb5xs(mm)	815X500X50

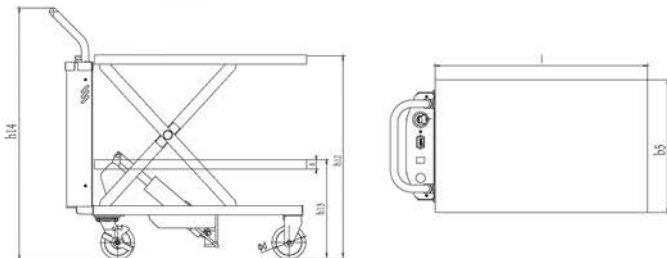
Semi-electric Lift Table



Model: **DP150**

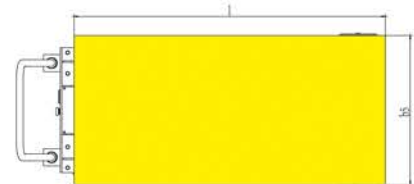
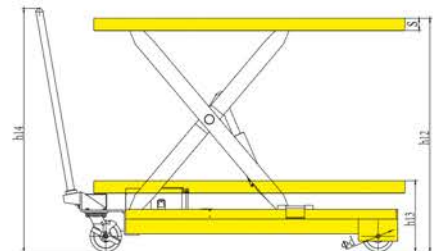


Model: **DP500E**



1KG=2.205LB 1INCH=25.40MM

Model		DP150	DP500E
Capacity	kg	150	500
Max. lift height	h12(mm)	770	950
Min. height of table	h13mm	375	290
Total height	h14(mm)	950	994
Table size	lxb5xs(mm)	800X500X35	1270X610X50
Lift motor		24v electric pushrod	12V/0.8Kw
Battery voltage		24V/20Ah (Lithium)	12V/65Ah (Lead-acid)
Service weight	kg	65	151



Column Lift Table



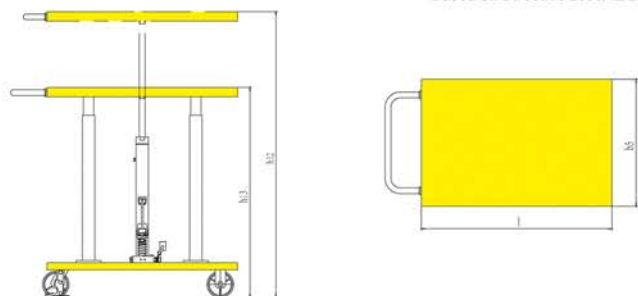
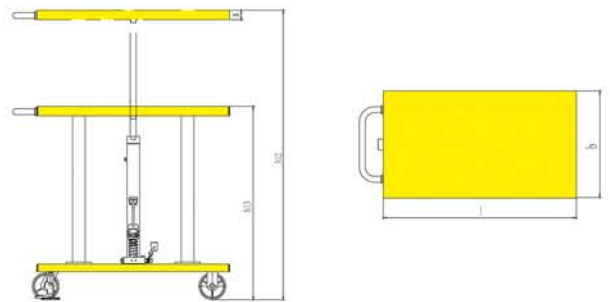
Model: **LP100**



Model: **LP500**



Model: **LP1000**



Conforms to EN ISO3691-5:2014
Based on Directive 2006/42/EC

1KG=2.205LB 1INCH=25.40MM

Model		LP100	LP500	LP1000
Capacity	kg	100	500	1000
Max. lift height	h12(mm)	1245	1372	1372
Min. height of table	h13(mm)	790	915	915
Table size	lxbxs(mm)	406X406	915X508	915X610
Service weight	kg	30	83	135

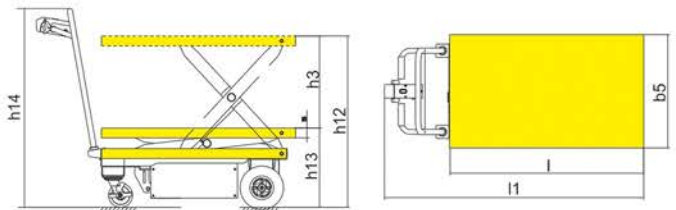
Model: QDP500

Full Electric Table Truck



1KG=2.205LB 1INCH=25.40MM

Model	QDP500	
Operate type	pedestrian	
Capacity	Q(kg)	500
Max. lift height	h_{12} (mm)	900
Min. lift height	h_{11} (mm)	420
Lifting height	h_1 (mm)	480
Table size	$l \times b \times xs$ (mm)	1030x600x52
Total height	h_{14} (mm)	1050
Tyre, front/rear	$\Phi 127 \times 2 / \Phi 230 \times 2$	
Total length	mm	1375
Travel speed, laden/unladen	km/h	4/4.5
Gradeability, laden/unladen	%	5/10
Battery voltage, nominal capacity k5	V/Ah	24/40



Model: AL1

Double hydraulic pump



Option of steel fence

1KG=2.205LB 1INCH=25.40MM

Model	AL1	
Capacity	(kg)	2700
Max. lift height	h_{12} (mm)	1700
Min. height of table	h_{11} (mm)	220
Lifting height	h_1 (mm)	1480
Table size	$l \times b \times xs$ (mm)	2445x1830x195
Motor	(kw)	3.0
Voltage	(V)	220/380
Rise time	(s)	40
Lowering speed	(mm/s)	< 150
Service weight	(kg)	945

Dock Leveler

Model: DL

Electric hydraulic pump



1KG=2.205LB 1INCH=25.40MM

Model	DL	
Capacity	(kg)	6000 8000
Table size	(mm)	2500x2000 2500x2000
Lip board size	(mm)	2000x400 2000x400
Lifting height	Up (mm)	400 400
	Down (mm)	300 300
Exterior size (LxWxH)	(mm)	2640x2040x600 2640x2040x600
Motor	(Kw)	0.75 0.75
Voltage	(V)	220/380 220/380
Pithead size	(mm)	2580x2040x600 2580x2040x600
Service weight	(kg)	1110 1150

Remark: special size can be made according to customer's requirement.

Stationary Lift Table

Model: **DG01**
DG03

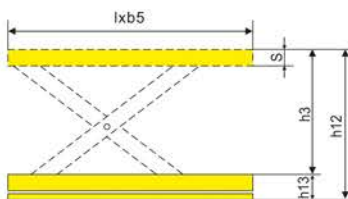


Model: **DG02**
DG04



- Designed for industrial heavy duty applications (as part of a production process, for machine feeding or stacking etc.)
- Double acting hydraulic cylinders.
- Lifting limit switch.
- Alum. table frame protects workers from injury by cutting off power.

Model: **DGS20**



1KG=2.205LB 1INCH=25.40MM

MODEL		DG01	DG02	DG03	DG04	DGS20		
Capacity	(kg)	1000	2000	1000	2000	2000	2000	2000
Max. lift height	h_{12} (mm)	1000	1050	1000	1050	2000	3500	4000
Min. height of table	h_{13} (mm)	190	230	190	230	420	500	500
Lifting height	h_3 (mm)	810	820	810	820	1580	3000	3500
Table size	$l \times b \times s$ (mm)	1350x800x80	1350x800x130	1500x1000x80	1500x1000x130	1500x1400x130	2240x1590x180	2500x2000x180
Motor power	(kw)	0.75	0.75	0.75	0.75	1.5	3	4
Input voltage	(V)	220/380	220/380	220/380	220/380	220/380	220/380	220/380
Rise time	(s)	19	38	19	38	60	80	90
Lowering speed	(mm/s)	<150	<150	<150	<150	<150	<150	<150
Service weight	(kg)	206	248	216	268	520	1250	1550

Aerial work platform

Alum. single mast aerial work platform

Cap. : 130~200kg
Max. table lift height: 4~8m

Alum. double single mast aerial work platform

Cap. : 200~300kg
Max. table lift height: 6~11m



Series	Model	Max. Platform Height	Platform Size(mm)	LxWxH (mm)	Loading Capacity(kg)	No. of person	Voltage (V/hz)	Motor Rating(kw)	Weight (kg)
Single mast aerial	GTWY4-100	4M	600X550X1000	1000X800X1720	125	1	220/50	0.75	230
	GTWY6-100	6M	600X550X1000	1100X800X1720	125	1	220/50	0.75	250
	GTWY8-100	8M	600X550X1000	1100X800X1980	125	1	220/50	0.75	270
Double single mast aerial	GTWY6-200S	6M	1260X600X1000	1380X860X1780	200	2	220/50	1.5	390
	GTWY7-200S	7M	1260X600X1000	1380X860X2060	200	2	220/50	1.5	405
	GTWY8-200S	8M	1260X600X1000	1380X860X2060	200	2	220/50	1.5	450
	GTWY9-200S	9M	1360X600X1000	1480X860X2060	200	2	220/50	1.5	490
	GTWY10-200S	10M	1360X600X1000	1480X860X2060	200	2	220/50	1.5	550
	GTWY11-200S	11M	1460X600X1000	1580X860X2060	200	2	220/50	1.5	600

More types please contact us

Steel Work Platform

**Model:
SJY**



Steel scissor mast aerial work platform

Cap. : 300~1000kg
Max. table lift height: 3~16m

Model	Loading Capacity(kg)	Max. Raised Height(mm)	Min. Raised Height	Platform Size(mm)	Voltage (V/hz)
SJY-0.3-3	300	3000	850	1400x700	380/50
SJY-0.5-3	500	3000	850	1400x700	380/50
SJY-0.3-4.5	300	4500	950	1500x850	380/50
SJY-0.5-4.5	500	4500	950	1500x850	380/50
SJY-0.3-6	300	6000	950	1800x880	380/50
SJY-0.5-6	500	6000	950	1800x880	380/50
SJY-0.3-6	300	6000	1130	1800x880	380/50
SJY-0.5-6	500	6000	1130	1800x880	380/50
SJY-0.3-7.5	300	7500	1240	1800x1000	380/50
SJY-0.5-7.5	500	7500	1400	1800x1000	380/50
SJY-0.3-9	300	9000	1350	1800x1000	380/50
SJY-0.5-9	500	9000	1550	1800x1000	380/50
SJY-0.3-11	300	11000	1600	2100x1150	380/50
SJY-0.5-11	500	11000	1600	2100x1150	380/50
SJY-0.3-12	300	12000	1830	2100x1350	380/50
SJY-0.5-12	500	12000	1750	2450x1350	380/50
SJY-0.3-14	300	14000	1980	2450x1350	380/50
SJY-0.5-14	500	14000	1980	2450x1350	380/50
SJY-0.3-16	300	16000	1980	2650x1500	380/50
SJY-0.5-16	500	16000	1980	2650x1500	380/50
SJY-1-4.5	1000	4500	1980	1500x880	380/50
SJY-1-6	1000	6000	1500	1800x1000	380/50
SJY-1-9	1000	9000	1820	2000x1200	380/50
SJY-1-12	1000	12000	1900	2450x1500	380/50
SJY-1-14	1000	14000	1980	2450x1500	380/50

Features:

- AC 380V power supply (of common size)
- DC power supply
- Manual/electrical power supply
- AC 220V power supply
- anual hydraulic power



Model:
CBD15

Indoor using type Li-ion powered pallet truck, with similar size as manual pallet truck, offer small turning radius, it is super light and easy to operate.



Advantages:

Standard :

- Lithium battery capacity: 24V/20AH.
- Ruyi handle with bully switch.
- High quality emergency switch (as key switch).
- Split rocker arm It makes the equable stress in order to keep the long-time using.
- Driving wheel with horizontal mounted motor, convenience to maintain.
- External battery charger connector, can be charged separately even the battery were used out.
- Single fork roller.

Option :

- Big battery capacity: 24V/30AH (LITHIUM)
- Entry roller
- Double fork roller

1KG=2.205LB 1INCH=25.40MM

Model	CBD15	
Load capacity	Q(kg)	1500
Load centre distance	c(mm)	600
Fork height, lowered	h13 (mm)	80
Tyre size, front	mm	φ210X70
Tyre size, rear	mm	φ80X93/ φ80X70
Max.lift height	h3(mm)	110
Height of tiller in drive position min./max.	h14 (mm)	635/1200
Overall length	l1(mm)	1580/1650
Length to face of forks	l2(mm)	430
Overall width	b1 (mm)	550/685
Fork dimensions:	s/e/l(mm)	53/160/1150(1220)
Width overall forks	b5(mm)	550/685
Aisle width for pallets 1000x1200 crossways	Ast(mm)	2180/2250
Aisle width for pallets 800x1200 lengthways	Ast(mm)	2050/2085
Turning radus	Wa(mm)	1380/1450
Travel speed, laden/unladen	Km/h	4.3/4.5
Battery voltage, nominal capacity k5	V/Ah	24/20
Battery weight	Kg	5.5
Service weight (with battery)	Kg	114



Standard Handle



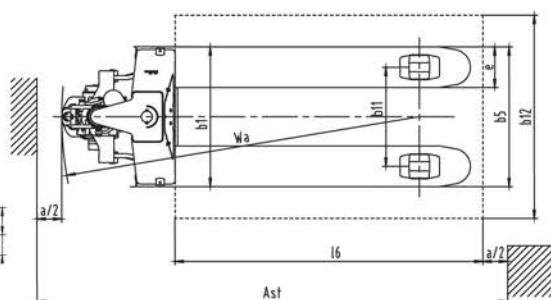
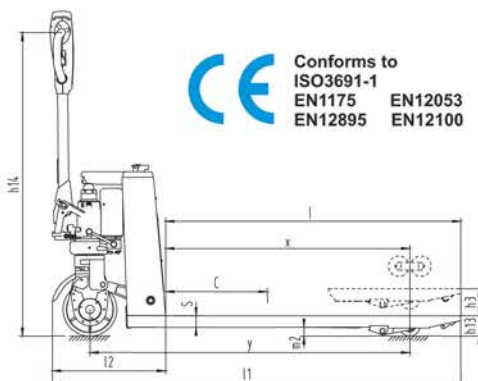
Emergency key switch



Entry roller



Horizontal motor
Option: wheel protection plate



Charging Time
3HR



Working Time
3HR

Li-ion Powered Pallet Truck

- Multi-function Control Handle**
 incorporates butterfly-style thumb controls, emergency reverse button, horn button and key switch for ease of use.
- Ergonomic Spring-loaded**
 steering handle with comfort grip for reduced operator fatigue.
- With EM brake offers regenerative braking**
- Plug-in Battery Design**
 makes it easier to remove and change, no need additional tools or devices.
- Integrated Rocker Arm**
 The rocker arm is casted in single piece, intensifying the strength and structure.
- Compact Vehicle Design**
 Rugged and high-performing yet light weight body provides exceptional maneuverability in tight areas.
- Less Wiring, Easy Service**
 Mechanical and electronic components are easy to change and service.
- Brushless Motor**
 Equipped with horizontal type brushless driving motor and gear box, offers high drive speed and low torque output. wheel can be independently dismantled.

Model:
CBD15W-Lix



Charging Time
3HR

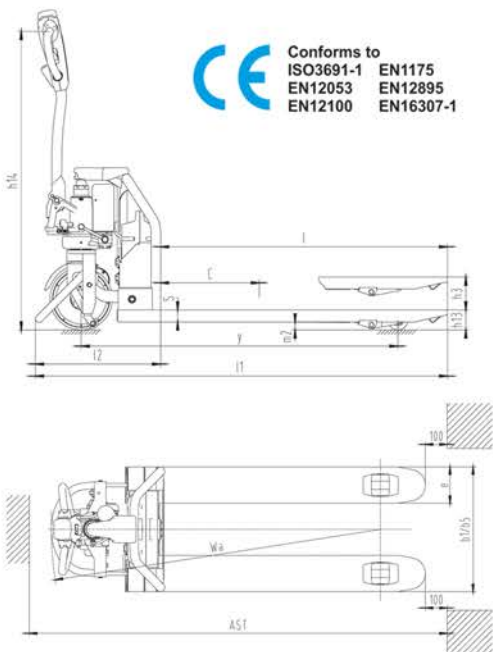
Fast and short boost charge, only 3 hours charging is sufficient to achieve full charge.

Working Time
6HR

Powerful and robust energy. 48V/20Ah battery voltage. A fully charged battery can work continuously for 6 hours.

Work Shift
24HR

Prepare just two pieces of lithium batteries. One charging, one working. 24 hours without break.



1KG=2.205LB 1INCH=25.40MM

Model	CBD15W-Lix	
Load capacity	Q (kg)	1500
Load centre distance	c (mm)	600
Fork height, lowered	h ₁₃ (mm)	80
Tyre size, front	mm	Φ250
Tyre size, rear	mm	Φ80
Wheels, number front rear(x=driven wheels)		1x2(4)
Max. lift height	h ₃ (mm)	110
Height of tiller in drive position min./max.	h ₁₄ (mm)	635/1200
Overall length	l ₁ (mm)	1623/1693
Length to face of forks	l ₂ (mm)	473
Overall width	b ₁ (mm)	550/685
Fork dimensions	s/e/l (mm)	45/160/1150(1220)
Width overall forks	b ₂ (mm)	550/685
Aisle width for pallets 1000x1200 crossways	A ₁₁ (mm)	2226/2294
Aisle width for pallets 800x1200 lengthways	A ₁₂ (mm)	2095/2132
Turning radius	W ₁ (mm)	1424/1494
Travel speed, laden/unladen	Km/h	4/4.5
Max. gradeability, laden/unladen	%	4/20
Battery voltage, nominal capacity K ₂	V/Ah	48/20
Battery weight	Kg	8.5
Battery dimensions l/w/h	mm	340x130x307
Service weight (with battery)	Kg	145

* Remarks: CBD15W-Lix with horizontal drive motor & EM brake.

Hot Sale

LITHIUM BATTERY

Model:
CBD18W-Li
CBD20W-Li

The Mini type with same size as hand pallet truck widely used in narrow aisle workshop, supermarket & cargo containers.



Model:
CBD15WE-Li
CBD20WE-Li

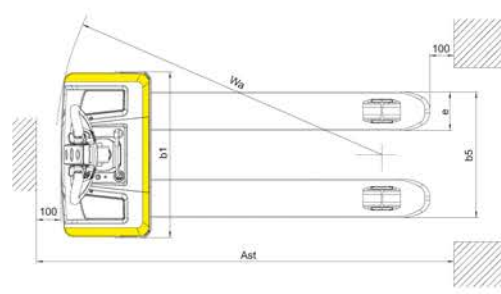
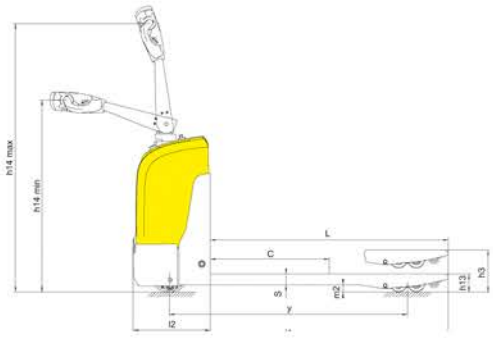
LITHIUM BATTERY



Li-Ion Lithium battery 24V/50AH



Conforms to EN ISO3691-1:2012
EN1175-1:1998/A1:2010
EN16307-1:2013
Based on Directive 2006/42/EC



1KG=2.205LB 1INCH=25.40MM

Model		CBD18W-Li	CBD20W-Li	CBD15WE-Li	CBD20WE-Li
Load capacity	Q(kg)	1800	2000	1500	2000
Fork height,lowered	h ₀ (mm)	85/75	85/75	85/75	85/75
Tyre size,front	mm	Φ195	Φ195	Φ195	Φ195
Tyre size,rear	mm	Φ80/Φ74	Φ80/Φ74	Φ80/Φ74	Φ80/Φ74
Wheels, number front rear (x = driven wheels)		1X-2/4	1X-2/4	~	~
Max. lift height	h ₁ (mm)	190/180	190/180	190/180	190/180
Height of tiller in drive position min./max	h ₂ (mm)	950/1310	950/1310	700/1270	700/1270
Overall length	l ₁ (mm)	1525/1595	1525/1595	1654/1724	1654/1724
Length to face of forks	l ₂ (mm)	373	373	504	504
Overall width	b ₁ (mm)	685	685	685/550	685/550
Fork dimensions	s/e/l(mm)	53/160/1150(1220)	53/160/1150(1220)	53/160/1150(1220)	53/160/1150(1220)
Width overall forks	b ₂ (mm)	520/550/685	520/550/685	520/550/685	520/550/685
Aisle width for pallets 1000x1200(1200crossways)	A ₁ (mm)	1725/1795	1725/1795	1854/1924	1854/1924
Aisle width for pallets 800x1200(1200lengthways)	A ₂ (mm)	1775/1795	1775/1795	1904/1924	1904/1924
Turning radius	Wa(mm)	1347/1415	1347/1415	1454/1424	1454/1424
Travel speed,laden/unladen	Km/h	5.3/5.8	5/5.5	4.3/4.8	4.3/4.8
Battery voltage/nominal capacity	V/Ah	24/70	24/70	24/50	24/50
Battery dimensions l/w/h	mm	~	~	~	~
Battery weight	Kg	~	~	~	~
Service weight(with battery)	Kg	230	250	205	205

Counterbalanced Electric Stacker

Advantages:

STRUCTURAL

- Long handle structure makes it steering light and flexible.
- Two lifting cylinders placed on outer sides of the mast.
- Germany imported special steel mast.
- Vertical driving wheel, driving efficiency, easy installation & maintenance.
- Compact structure and low gravity.

SAFETY AND EFFICIENCY

- AC frequency conversion traction motor: compact structure, good performance, regenerative braking and easy maintenance.
- Tilting system forks easy for loading and stacking.
- High Storage battery ensures strong and long-lasting power.
- Meter with BDI, prolonging the battery's using time.
- The braking system combines magnetic brake and regenerative break, greatly prolongs the using life of friction plate.
- With emergency stop switch and electricity lock button, and multi-valve controlling levers, ergonomic for operation.
- The adjustable regulator valve can adjust the lowering speed of the masts.

EASY MAINTENANCE

- Magnet suction battery cover, easy for installation and maintenance.
- AC controlling system, low noise, less maintenance.

Model:
CPD05W
CPD10W
CPD15W


AC

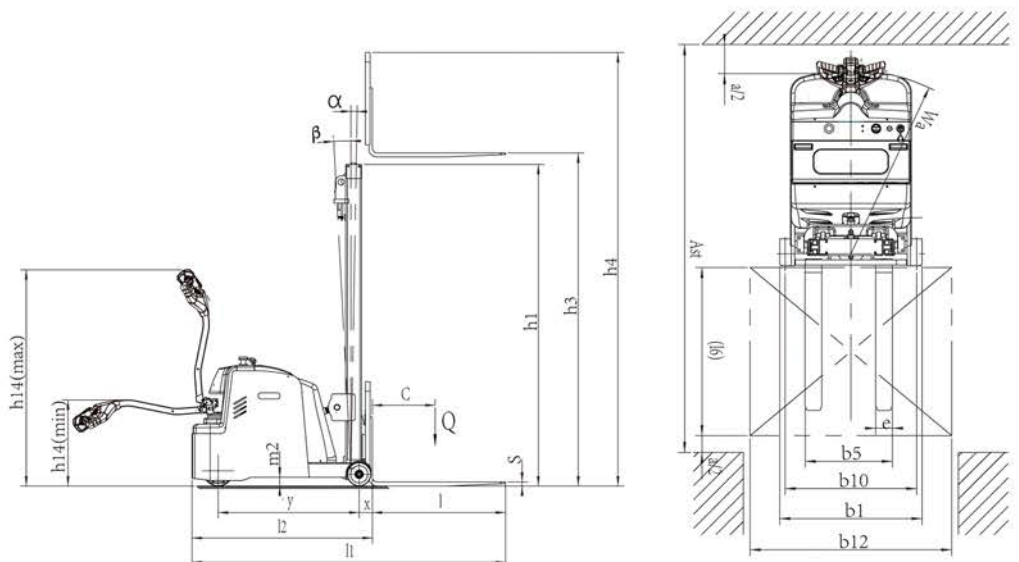
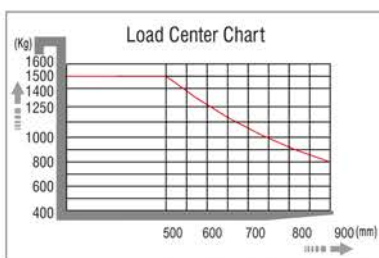
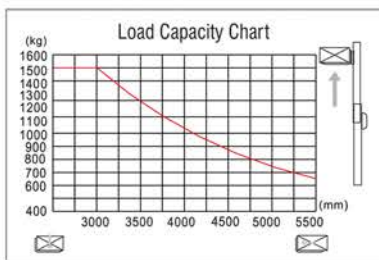


Conforms to
EN ISO3691-1 EN 1175
EN 16307-1 EN 12100-1
EN 12053-2001 EN 13059-2002

1KG=2.205LB 1INCH=25.40MM

	1.2	Manufacturer's type designation		CPD05W	CPD10W	CPD15W	
General Information	1.3	Drive: electric (battery type, mains, ...), diesel, petrol, fuel gas		Electric	Electric	Electric	
	1.4	Operator type: hand, pedestrian, standing, seated, order-picker		Pedestrian	Pedestrian	Pedestrian	
	1.5	Rated capacity/rated load	Q (kg)	550	1000	1500	
	1.6	Load centre distance	c (mm)	400	400	500	
	1.8	Load distance, centre of drive axle to fork	x (mm)	90	90	130	
	1.9	Wheelbase	y (mm)	900	1150	1380	
Weight	2.2	Axle loading, laden front/rear	kg	380/495	430/750	460/3120	
	2.3	Axle loading, unladen front/rear	kg	1175/250	1856/324	1080/1000	
Tyres/Chassis	3.1	Tyres: solid rubber, superelastic, pneumatic, polyurethane		Polyurethane	Polyurethane	Polyurethane	
	3.2	Tyre size, front		Φ150×64	Φ150×64	Φ250×70	
	3.3	Tyre size, rear		Φ195×70	Φ195×70	Φ200×100	
	3.5	Wheels, number front/rear (x = driven wheels)		1x+2	1x+2	1x+2	
	3.6	Tread, front	b10 (mm)	782	782	890	
	3.7	Tread, rear	b11 (mm)	0	0	0	
	4.1	Tilt of mast/fork carriage forward/backward	a/b (°)	1/3	1/3	3/6	
Dimensions	4.2	Height, mast lowered	h1 (mm)	2087/1552/1802/2052	2087/1552/1802/2052	1735/1985/2235/1895/2085/2235/2435	
	4.3	Free lift	h2 (mm)	1400/0/0/0	1400/0/0/0	0/0/0/1400/1500/1670/1870	
	4.4	Max. lift height	h3 (mm)	1600/2000/2500/3000	1600/2000/2500/3000	2500/3000/3500/4000/4500/5000/5600	
	4.5	Height, mast extended	h4 (mm)	2240/2640/3140/3640	2240/2640/3140/3640	3500/4000/4500/5000/5500/6000/6600	
	4.9	Height drawbar in driving position min./max.		670/1300	670/1300	730/1360	
	4.19	Overall length	l1 (mm)	2002	2356	2650	
	4.20	Length to face of forks	l2 (mm)	1152	1406	1700	
	4.21	Overall width	b1/b2 (mm)	846	846	990	
	4.22	Fork dimensions DIN ISO 2331	s / e / l (mm)	32/100/850	32/100/950	35/100/950(1070)	
	4.34.1	Aisle width for pallets 1000 × 1200 crossways	Ast (mm)	2610	2770	2950	
	4.34.2	Aisle width for pallets 800 × 1200 lengthways	Ast (mm)	2750	2880	3070	
	4.35	Turning radius	Wa (mm)	1170	1334	1570	
	Performance Data	5.1	Travel speed, laden/unladen	km/h	4.1/4.5	3.8/4.2	5.8/6.0
		5.2	Lift speed, laden/unladen	m/s	0.17/0.25	0.11/0.15	0-0.12/0-0.19
5.3		Lowering speed, laden/unladen	m/s	0.14/0.14	0.08/0.09	0-0.45	
5.8		Max. Gradeability, laden/unladen	%	6/10	5/10	6/10	
5.10		Service brake		Electromagnetic	Electromagnetic	Electromagnetic	
Motors	6.1	Drive motor rating S2 60 min	kW	0.65(DC)	0.65(DC)	1.2(AC)	
	6.2	Lift motor rating at S3 15%	kW	2.2(DC)	2.2(DC)	4.5(DC)	
	6.4	Battery voltage/nominal capacity K5	(V)/(Ah) or kWh	24/105	24/125	24/280	
	6.5	Battery weight	kg	60.8	60.8	280-320	
	Additional Data	10.7	Sound pressure level at the driver's seat	dB (A)	65	65	65

* Option:  Lithium Battery 24V/100AH (Quick Charger 3 hrs.)



Full Electric Stacker



NEW

**Model:
CDD15KEN**

With Platform Standing-On



Conforms to EN ISO3691-5:2014
Based on Directive 2006/42/EC

**Model:
CDD20KEN**

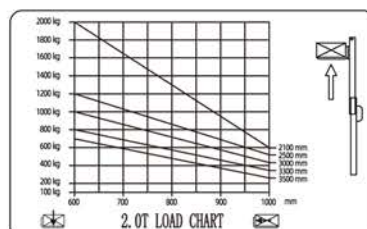
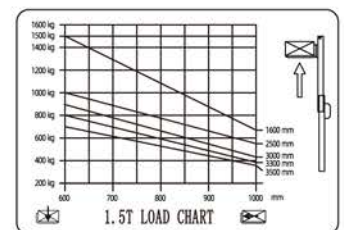
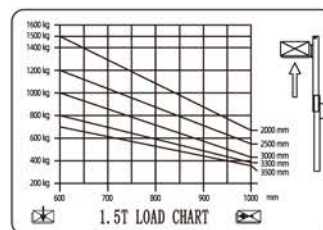
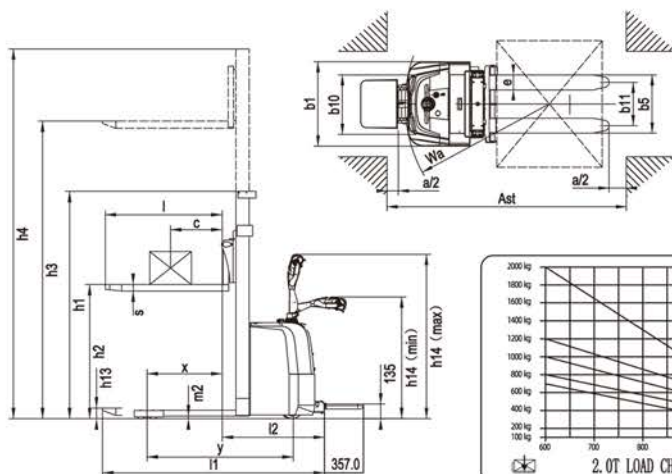
With Platform Standing-On

Hot Sale



1KG=2.205LB 1INCH=25.40MM

General Information	1.2 Manufacturer's type designation		CDD15KEN	CDD20KEN
	1.3 Drive: electric (battery type, mains, ...), diesel, petrol, fuel gas			Electric
1.4 Operator type: hand, pedestrian, standing, seated, order-picker			Standing	Standing
1.5 Rated capacity/rated load	Q (kg)		1500	2000
1.6 Load centre distance	c (mm)		600	600
1.8 Load distance, centre of drive axle to fork	x (mm)		690	884
1.9 Wheelbase	y (mm)		1342	1326
Weight	2.1 Service weight	kg		900
	2.2 Axle loading, laden front/rear	kg	591/1498	1032/1974
	2.3 Axle loading, unladen front/rear	kg	414/172	749/249
Tyres	3.1 Tyres: solid rubber, superelastic, pneumatic, polyurethane		PU	PU
	3.2 Tyre size, front		Φ195*70	Φ230*70
	3.3 Tyre size, rear		Φ80*92	Φ80*70
	3.4 Additional wheels (dimensions)		Φ127*57	Φ127*57
	3.5 Wheels, number front/rear (x = driven wheels)		1x+2/2	1x+2/4
	3.6 Tread, front	b10 (mm)	648	648
3.7 Tread, rear	b11 (mm)	410/525	410/525	
Dimensions	4.2 Height, mast lowered	h1 (mm)	2090/1840/2090/2200/2340	1744/1994/2144/2244/2494
	4.3 Free lift	h2 (mm)	N/A	210
	4.4 Lift	h3 (mm)	1600/2500/3000/3300/3500	2500/3000/3300/3500/4000
	4.5 Height, mast extended	h4 (mm)	2090/3060/3560/3860/4060	2960/3460/3760/3960/4460
	4.9 Height drawbar in driving position min./max.	h14 (mm)	670/1300	1070/1370
	4.10 Height of wheel arms	h8 (mm)	81	81
	4.15 Height, lowered	h13 (mm)	90	90
	4.19 Overall length	l1 (mm)	2175(1150) 2095(1070)	2035(1150) 1955(1070)
	4.20 Length to face of forks	l2 (mm)	935	885
	4.21 Overall width	b1/b2 (mm)	800	800
	4.22 Fork dimensions DIN ISO 2331	s / e / l (mm)	60/142(160)/1150(1070)	60*170*1150(1070)
	4.25 Fork spread	b5 (mm)	300-695	570/695
	4.31 Ground clearance, laden, below mast	m1 (mm)	●	●
	4.32 Ground clearance, centre of wheelbase	m2 (mm)	26	26
4.34.1 Aisle width for pallets 1000 × 1200 crossways	Ast (mm)	2509	2518	
4.34.2 Aisle width for pallets 800 × 1200 lengthways	Ast (mm)	2482	2475	
4.35 Turning radius	Wa (mm)	1635	1665	
Performance	5.1 Travel speed, laden/unladen	km/h	4.5/5	5/6
	5.2 Lift speed, laden/unladen	m/s	0.09/0.15	0.07/0.11
	5.3 Lowering speed, laden/unladen	m/s	0.15/0.11	0.13/0.08
	5.7 Gradeability, laden/unladen	%		
	5.8 Max. gradeability, laden/unladen	%	6/10	5/10
	5.10 Service brake		Electromagnetic	Electromagnetic
Motors	6.1 Drive motor rating S2 60 min	kW	0.65	1.2(AC)
	6.2 Lift motor rating at S3 15%	kW	2.2	2.2
	6.4 Battery voltage/nominal capacity Ks	(V)/(Ah) or kWh	24/105(125)	24/165 24/210
	6.5 Battery weight	kg	52(70)	120 175
	6.6 Energy consumption according to DIN EN 16796	kWh/h	E	E
	6.7 Turnover output according to VDI 2198	t/h	E	E
6.8 Turnover efficiency according to VDI 2198	t/kWh	E	E	
Additional Data	10.7 Sound pressure level at the driver's seat	dB (A)	70	70



695 type



570 type

* Option: 

Lithium Battery 24V/70Ah (Quick Charger 2hrs.) for CDD15KEN
Lithium Battery 24V/100Ah (Quick Charger 3hrs.) for CDD20KEN